

## Door Edge Profiles



**Square**  
Raw



**1.5mm Pencil**  
Vinyl and Raw



**2mm Pencil**  
Vinyl and Raw



**3mm Pencil**  
Vinyl and Raw



**5mm Pencil**  
Vinyl and Raw

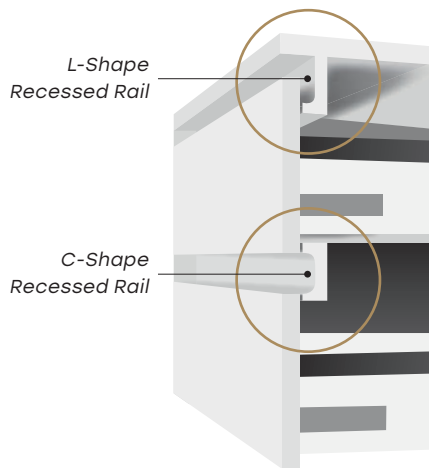


**Beveled**  
Vinyl and Raw



**Step Pencil**  
Vinyl and Raw

## Recessed Rails and Cap Moulding



Style Options	Dimensions	Available Finish
L-Shape Recessed Rail	2400mm x 60mm x 25mm 	Vinyl and Raw
C-Shape Recessed Rail	2400mm x 60mm x 25mm 	Vinyl and Raw
Cap Moulding	2400mm x 90mm x 32mm 	Vinyl and Raw

## Decorative Flutes

100mm width standard

