

Profile Doors Order Form

Company:		Order		Quote	
Contact Name:		Order Date:			
Contact Phone:		Required Date:			
Contact Email:		Your Reference:			
Delivery Address:					
Customer Signature:			Sales Representative:		

Door Type: (Please tick)	Raw <small>Double Sided</small> <input type="checkbox"/>	Vinyl <small>Single Sided</small> <input type="checkbox"/>	Vinyl <small>Double Sided</small> <input type="checkbox"/>	Other : <input type="checkbox"/>
Edge Profile: (Please tick)	Square <input type="checkbox"/>	1.5mm Pencil <input type="checkbox"/>	2mm Pencil <input type="checkbox"/>	3mm Pencil <input type="checkbox"/>
	5mm Pencil <input type="checkbox"/>	Beveled <input type="checkbox"/>	Step Pencil <input type="checkbox"/>	
Vinyl/Raw Door Style:			Thickness (mm):	
e .g. Lorne			e .g. 18mm	
Colour Name & Code*:			Texture:	
e .g. White			e .g. GL	

Line	Qty	Height (mm)	Width (mm)	D/S	Options & Accessories (Vinyl & Raw Only)
					<ul style="list-style-type: none"> • Single Glass Frame • Colonial Glass Frame • Appliance Frame • Roller Shutter Surround • Cap Moulding • Recessed Rails • Flutes
1					
2					
3					
4					
5					
6					
7					
8					
9					
10					
11					
12					
13					
14					
15					
16					
17					
18					
19					

Please refer to current SmartStyle price list for product availability. Any alterations or remakes will incur a charge if not notified prior to order confirmation.

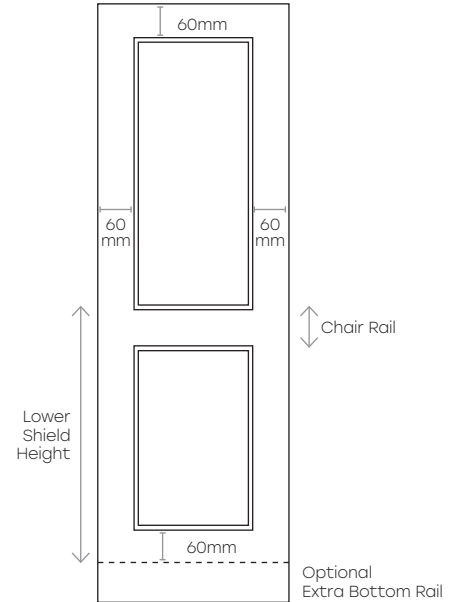
*SmartStyle colour will be used unless otherwise specified. ^Matching ABS edging used unless different colour is specified.

Profile Doors Order Form

Send orders to:
 orders@smartstyle.au
 1300 854 166
 www.hvgbuilding.com.au

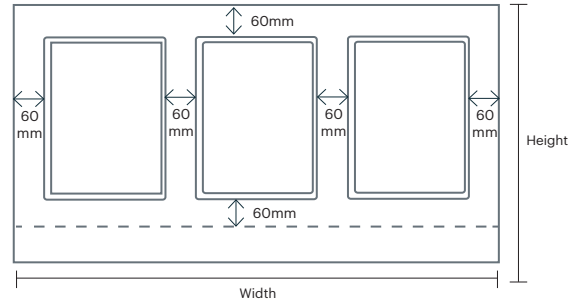
PANTRY DOORS

Line	Qty	Height (mm)	Width (mm)	Lower Shield Height (mm)	Chair Rail		Extra Bottom Rail (Optional)
					Single 60mm	Double 120mm	
1							
2							
3							
4							
5							
6							
7							



BAR PANELS

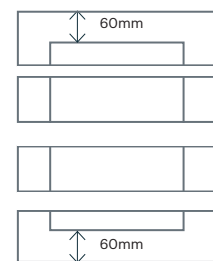
Line	Qty	Height (mm)	Width (mm)	Extra Bottom Rail (Optional)	Number of Profiles
1					
2					
3					



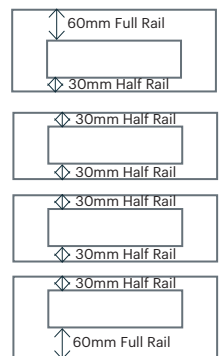
DRAWERS

Line	Qty	Height (mm)	Width (mm)	Type	Drawer Heights (mm)		
				i.e. IND/BANK			
1							
2							
3							
4							
5							
6							

Drawer Bank
Cut from a single door



Individual Drawers



NOTES